

Rear View Camera

VSCV-80



I. General Overview of New Rear View Color Camera, VSCV-80

The Rear View Camera, VSCV-80, significantly reduces dangerous blind spots.

Our rear view camera has been developed exclusively for cars, trucks, buses, and other commercial vehicles. It's a perfect solution to get rid of that poor rear view visibility on your car, truck, vans, and other vehicles. VSCV-80 is very light weight, waterproof, easy & comprehensive installation, low power consumption, and no maintenance is required.

Every year, thousands of vehicle backup accidents happen nation wide. In many cases, children and seniors are injured and killed because drivers don't see them while backing up. The area, often called blind spot, behind your vehicle can be a real dangerous area!

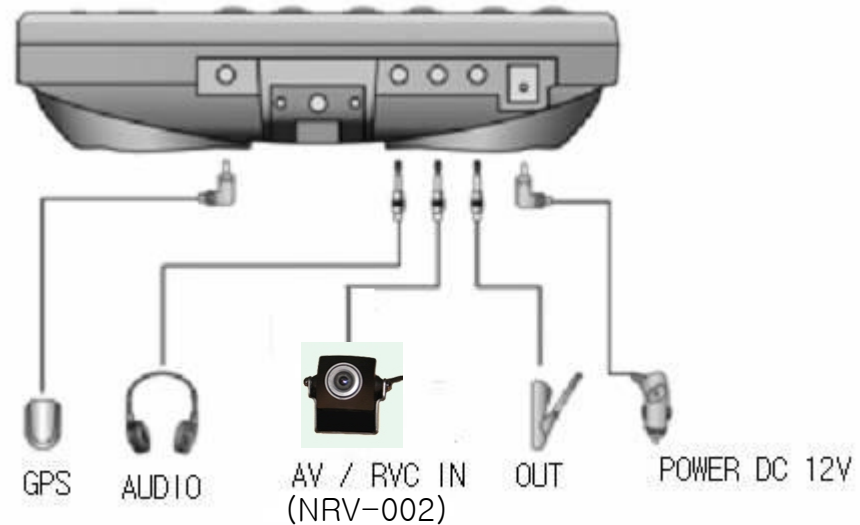
The Rear View Camera does not replace safety controls, but it provides additional safety helps to you. This special RV camera fits nicely to most vehicles.



- FEATURES

- 1/4" Sony Super HAD CCD
- Waterproof (Certify IP 67)
- World best Wide View 154° (f=1.9mm)
- Reverse Image
- Over 380TV Lines (NTSC)
420TV Lines (PAL)
- Working Temperature:
-30°C ~ 60°C, 85%RH
- 0.1 Lux at F 1.2 AGC On
- Automatic gain control
- Auto white balance control
- Electronic auto iris
- DC 12V ± 20%
(DC 8V-24V), 110mA MAX
- CE, FCC Class "A" Certified

II. Connection to Monitor

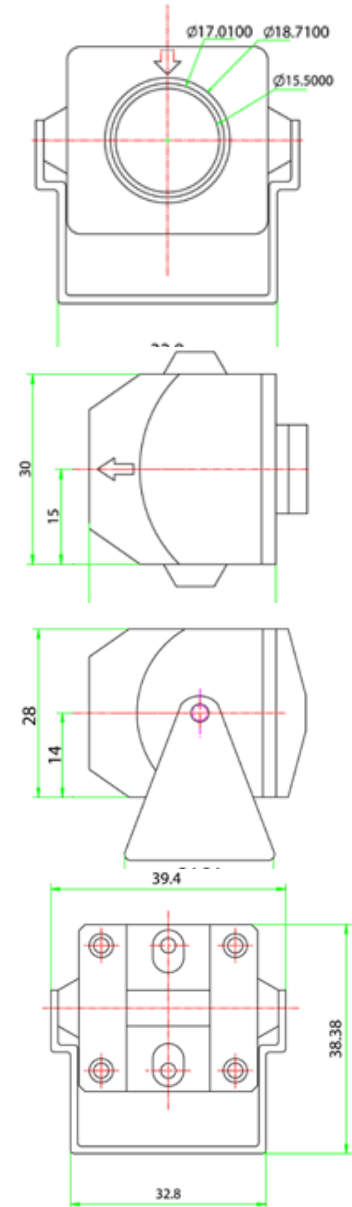


!Caution: Monitors should have the feature of POWER DIRECT ON/OFF function in order to connect and make RV camera function correctly.

1. The power cable of camera is connected to the power cable of the rear/brake light. (!Caution: The black cable (-cable) should be grounded.)
2. Signal cable of camera is connected to monitor.

III. Specification & Dimension

Description	Specification
Image Orientation	Reverse Image
Image sensor	1/4 Inch SONY SUPER HAD CCD, 270K pixel
Effective pixel	(H)500X(V)582(PAL)
Scanning system	2:1 Interlacing / 625 lines(PAL)
Sync. System	Internal synchronization
Scanning frequency	(H)15.734KHz * (V)59.94Hz
Sub carrier	4.43MHz(PAL)
Horizontal Resolution	More than 420TV Lines(PAL)
Video output	VBS 1.0V _{p-p} ±10% / 75 Ω (Video:0.714V _{p-p} , Syn:0.286V _{p-p})
S/N ratio	48dB Min (AGC off, Y signal)
Gamma(r)	r=0.45
AGC	+18dB Max
Standard Lux	1,000 Lux at F 4.0(3,200'K)
Min. Illumination	0.1 Lux at F 1.2 AGC On
Lens	f=1.94mm / View 150° / F= 2.5
Gain control	Automatic gain control (0~18db)
White balance	Automatic white balance control
Shutter Speed	Electronic auto iris (Shutter Speed: 1/50~ 1/100,000 : PAL)
Input voltage	DC 12V ± 20%(DC 8V-24V), 110mA MAX
Ambient Temperature	-30℃ ~ 60℃, 85%RH
Dimension	Size: 27mm x 28mm x 30mm
Housing Material	Zinc & EGI
IP Resistance	Certify IP67
MIRROR	ON
BLC	YES
Surge Countermeasure	CE, FCC Class "A" Certified.



* Design and specifications are subject to change without notice.